

### Feature

- Wide Input Operation Voltage Range: 8V to 38V
- Absolute Maximum Input Supply Voltage: 40V
- Input Protection Mode Trigger Voltage: 34V
- Up to 93% Efficiency
- No Loop Compensation Required
- Dual-channeling CC/CV control
- Programmable CC current
- Cable Compensation up to 1.7V
- Thermal Shutdown
- Over current protection
- ULVO protection
- Available in SOP-8L Package

### Application

- Car Charger / Adaptor
- LED Driver
- Pre-Regulator for Linear Regulators
- Distributed Power Systems
- Battery Charger

### Description

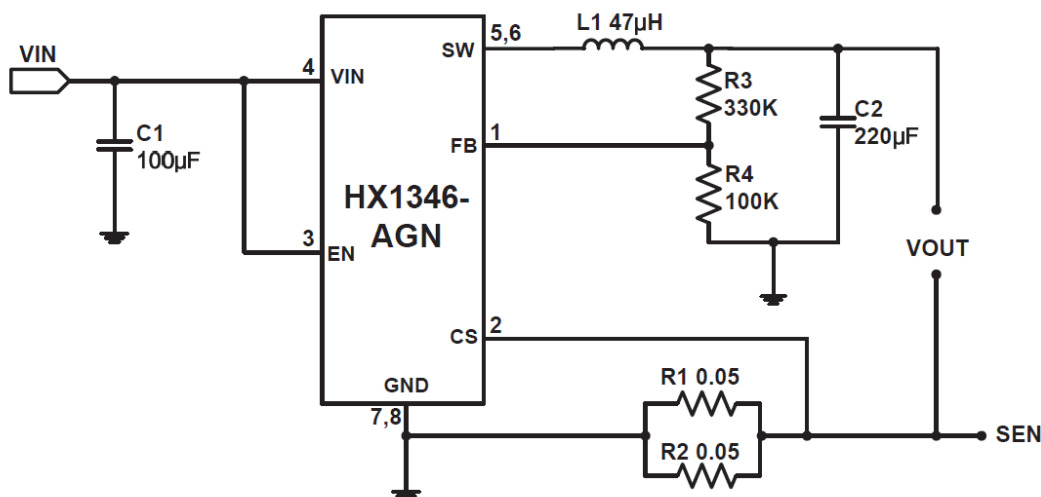
The HX1346-AGN is a wide input range step down DC/DC converter from a high voltage input supply. HX1346-AGN achieves 2.7A continuous output current with excellent load and line regulation. The synchronous architecture provides for highly efficient designs. Constant current and constant voltage mode operation provide fast transient response and eases loop stabilization.

The HX1346-AGN features a dual-channeling CV/CC mode control functions. It operates in the Constant output Current mode or Constant output Voltage mode. The over current protection current value is set by current sensing resistors.

The HX1346-AGN requires a minimum number of readily available standard external components. Other features include cable drop compensation, and thermal shutdown.

The HX1346-AGN converters are available in the industry standard SOP-8L packages.

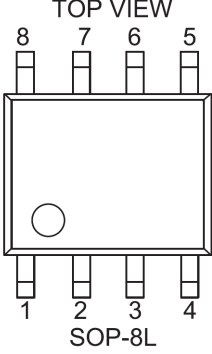
### Typical Application Circuit



\*The output voltage is set by R3 and R4:  $V_{OUT} = 1.21V \cdot [1 + (R3/R4)]$ .

\*The output current of  $V_{OUT}$  is set by  $I_{CS} = 100\text{mv} / \{R1 \times R2 / (R1 + R2)\}$ .

## Pin Assignment and Description

TOP VIEW	PIN	NAME	DESCRIPTION
	 <p>TOP VIEW</p> <p>8 7 6 5</p> <p>1 2 3 4</p> <p>SOP-8L</p>	1	FB
	2	CS	Current Sense Input
	3	EN	ON/OFF Control (High Enable)
	4	VIN	Input Supply Voltage
	5, 6	SW	Switch Node
	7, 8	GND	Ground

### Absolute Maximum Ratings (Note 1)

- Input Supply Voltage .....-0.3V ~ 40V
- FB Voltages..... -0.3V ~ 6V
- SW Voltage .....-0.3V ~ ( $V_{IN} + 1V$ )
- Operating Temperature Range (Note 2).....-40°C ~ +85°C
- Storage Temperature Range..... -65°C ~ +150°C
- Junction Temperature Range.....+150°C
- Lead Temperature (Soldering, 10 sec.)..... +265°C

**Note 1:** Stresses beyond those listed Absolute Maximum Ratings may cause permanent damage to the device. Exposure to any Absolute Maximum Rating condition for extended periods may affect device reliability and lifetime.

**Note 2:** The HX1346-AGN is guaranteed to meet performance specifications from 0°C to 70°C. Specifications over the -40°C to 85°C operating temperature range are assured by design, characterization and correlation with statistical process controls.

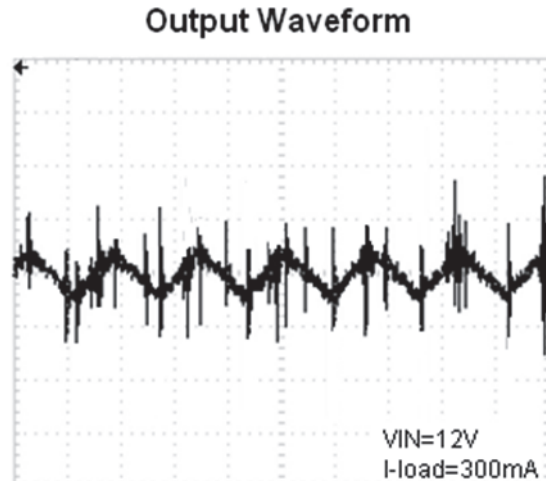
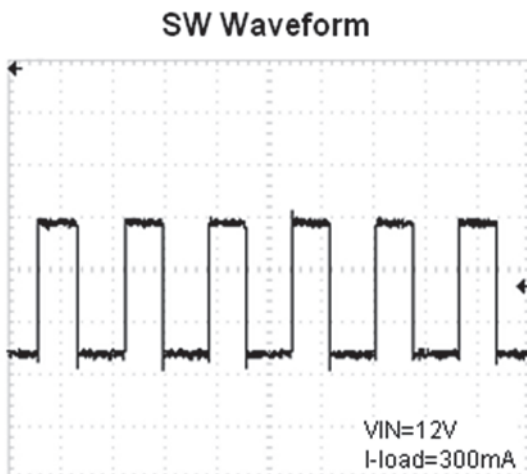
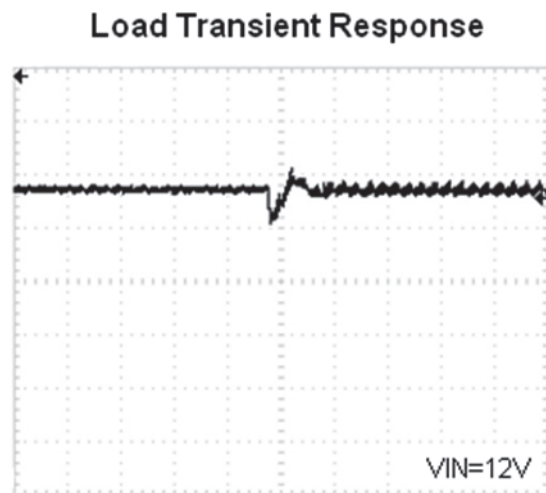
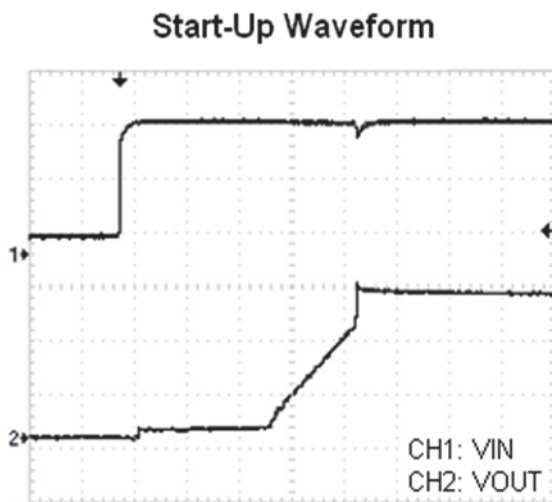
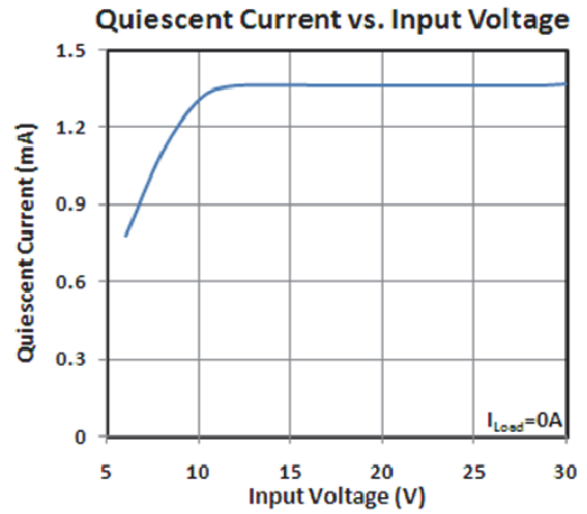
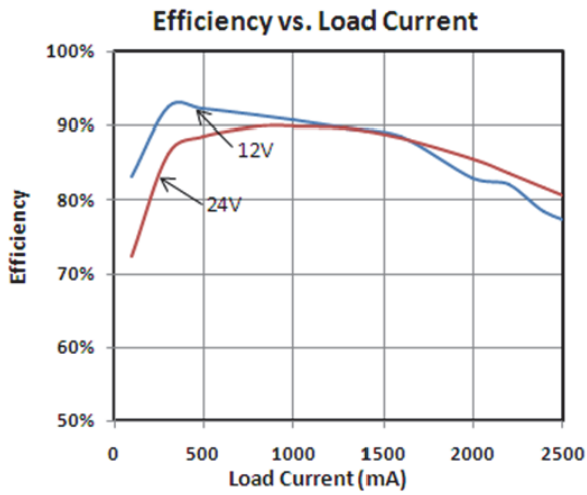
## Electrical Characteristics

Operating Conditions:  $T_A=25^{\circ}\text{C}$ ,  $V_{IN}=12\text{V}$ ,  $R_2=330\text{k}$ ,  $R_3=100\text{k}$ , unless otherwise specified.

SYMBOL	PARAMETER	CONDITIONS	MIN	TYP	MAX	UNITS
$V_{IN}$	Input Voltage Range		8		38	V
$V_{IN-P-Trigger}$	Input Protection Mode Trigger Voltage			34		V
$I_Q$	Quiescent Current	$V_{IN}=12\text{V}$		1.3		mA
$V_{UVLO}$	Input UVLO Threshold			4.4		V
$\Delta V_{UVLO}$	UVLO Hysteresis			200		mV
$V_{OVLO}$	Input OVLO Threshold			32		V
$\Delta V_{OVLO}$	OVLO Hysteresis			2.5		V
$V_{FB}$	Regulated Voltage			1.212		V
$\Delta V_{FB}$	Regulated Voltage Tolerance		-2.5		+2.5	%
$I_{FB}$	Feedback Pin Input Current				0.05	$\mu\text{A}$
$V_{CS}$	Reference Voltage Of Current Sense Pin		90	100	115	mV
$f_{OSC}$	Oscillator Frequency Range		100	130	150	kHz
DC	Max Duty Cycle			100		%
$\Delta V_{OUT}$	Output Cable Resistance Compensation	$R_1=R_2=100\text{m}\Omega$ , $I_{OUT}=1\text{A}$ , $R_3=660\text{k}\Omega$		0.8		V
$T_{SD}$	Thermal Shutdown			145		$^{\circ}\text{C}$
$\Delta T_{SD}$	Thermal Shutdown Hysteresis			30		$^{\circ}\text{C}$

## Typical Performance Characteristics

Operating Conditions:  $T_A=25^{\circ}\text{C}$ , unless otherwise specified.



## Pin Functions

**FB (Pin 1):** Feedback Pin. Receive the feedback voltage from an external resistive divider across the output. The Output voltage is set by R3 and R4:  $V_{OUT} = 1.21V \cdot [1 + (R3/R4)]$ .

**CS (Pin 2):** Current or voltage sense pin of  $V_{OUT}$ . If SEN is larger than the sense voltage, the HX1346-AGN will shut down for protection. The output current is programmed by connecting resistors, R1, R2. The output current is set:  $I_{CS} = 100\text{mv} / \{R1 \times R2 / (R1 + R2)\}$ .

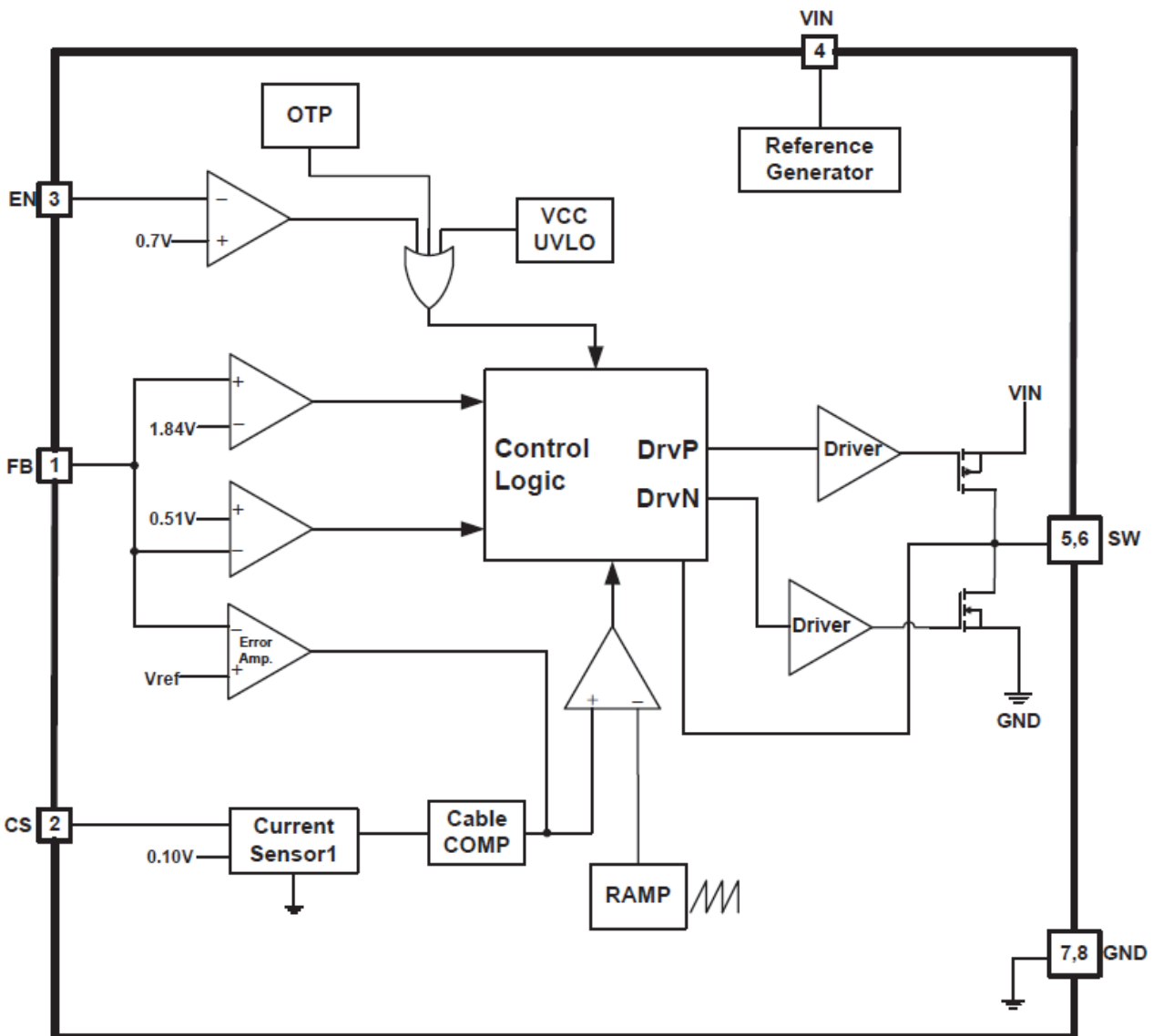
**EN (Pin 3):** En Control Input. Forcing this pin above 3.4V enables the part. Forcing this pin below 1.6V can shuts down the device. Do not leave EN floating.

**VIN (Pin 4):** Main Supply Pin.

**SW (Pin 5, 6):** Switch Node Connection to Inductor.

**GND (Pin 7, 8):** Ground Pin.

## Block Diagram



## Application Information

The HX1346-AGN operates by a constant frequency, current mode architecture. The output voltage is set by an external divider returned to the FB pin. An error amplifier compares the divided output voltage with a reference voltage of 1.21V and adjusts the peak inductor current accordingly.

### Dual-channeling CV/CC mode control

HX1346-AGN provides the function of dual-channeling CV/CC mode control. The constant output current control mode and constant output voltage control mode. CS pins are connected to the current sensing resistors to prevent the condition of output short circuit and output over current.

### Setting Output Voltage

The output voltage is set with a resistor divider from the output node to the FB pin. It is recommended to use divider resistors with 1% tolerance or better. To improve efficiency at very light loads consider using larger value resistors. If the values are too high the regulator is more susceptible to noise and voltage errors from the FB input current are noticeable. For most applications, a resistor in the 10kΩ to 1MΩ range is suggested for R4. R3 is then given by:

$$R3 = R4 \cdot [(V_{OUT} / V_{REF}) - 1]$$

where  $V_{REF}$  is 1.21V.

### Inductor Selection

For most applications, the value of the inductor will fall in the range of 4.7μH to 47μH. Its value is chosen based on the desired ripple current. Large value inductors lower ripple current and small value inductors result in higher ripple currents. Higher  $V_{IN}$  or  $V_{OUT}$  also increases the ripple current as shown in equation. A reasonable starting point for setting ripple current is  $\Delta I_L = 1080\text{mA}$  (40% of 2.7A).

$$\Delta I_L = \frac{1}{(f)(L)} V_{OUT} \left( 1 - \frac{V_{OUT}}{V_{IN}} \right)$$

The DC current rating of the inductor should be at least equal to the maximum load current plus half the ripple current to prevent core saturation. Thus, a 3.78A rated inductor should be enough for most applications (2.7A + 1080mA). For better efficiency, choose a low DC-resistance inductor.

Different core materials and shapes will change the size/current and price/current relationship of an

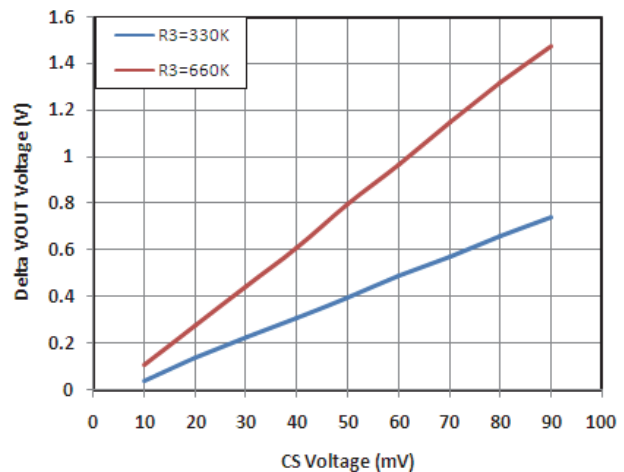
inductor. Toroid or shielded pot cores in ferrite or perm alloy materials are small and don't radiate much energy, but generally cost more than powdered iron core inductors with similar electrical characteristics. The choice of which style inductor to use often depends more on the price vs. size requirements and any radiated field/EMI requirements than on what the HX1346-AGN requires to operate.

### Output Cable Resistance Compensation

To compensate for resistive voltage drop across the charger's output cable, the HX1346-AGN integrates a simple, user-programmable cable voltage drop compensation using the impedance at the FB pin. Choose the proper feedback resistance values for cable compensation refer to the curve. The delta  $V_{OUT}$  voltage rises when the feedback resistance R3 value rises. The delta  $V_{OUT}$  voltage rises when the feedback resistance R4 value rises, use the equation below:

$$V_{OUT} = \left( 1 + \frac{R3}{R4} \right) \times V_{FB} + R3 \times \frac{V_{R_{sense}}}{100\text{mV}} \times 2.5\mu\text{A}$$

Output Cable Resistance Compensation



\*From figure above, if  $R_{cs}=50\text{m}\Omega$ ,  $I_{OUT}=1\text{A}$ ,  $R3=660\text{k}\Omega$ ,  $V_{cs}=R_{cs} \times I_{OUT}=50\text{mV}$ , then  $\Delta V_{OUT}=0.8\text{V}$ .

### Thermal Protection

The total power dissipation in HX1346-AGN is limited by a thermal protection circuit. When the device temperature rises to approximately 145°C, this circuit turns off the output, allowing the IC to cool. The thermal protection circuit can protect the device

from being damaged by overheating in the event of fault conditions. Continuously running the HX1346-AGN into thermal shutdown degrades device reliability.

### Output and Input Capacitor Selection

In continuous mode, the source current of the top MOSFET is a square wave of duty cycle  $V_{OUT}/V_{IN}$ . To prevent large voltage transients, a low ESR input capacitor sized for the maximum RMS current must be used. The maximum RMS capacitor current is given by:

$$C_{IN} \text{ required } I_{RMS} \equiv I_{OMAX} \frac{[V_{OUT}(V_{IN} - V_{OUT})]^{1/2}}{V_{IN}}$$

This formula has a maximum at  $V_{IN} = 2V_{OUT}$ , where  $I_{RMS} = I_{OUT}/2$ . This simple worst-case condition is commonly used for design because even significant deviations do not offer much relief. Note that the capacitor manufacturer's ripple current ratings are often based on 2000 hours of life. This makes it advisable to further derate the capacitor, or choose a capacitor rated at a higher temperature than required. Always consult the manufacturer if there is any question.

The selection of  $C_{OUT}$  is driven by the required effective series resistance (ESR). Typically, once the ESR requirement for  $C_{OUT}$  has been met, the RMS current rating generally far exceeds the  $I_{RIPPLE(P-P)}$  requirement. The output ripple  $\Delta V_{OUT}$  is determined by:

$$\Delta V_{OUT} \equiv \Delta I_L \left( ESR + \frac{1}{8fC_{OUT}} \right)$$

Where  $f$  = operating frequency,  $C_{OUT}$  = output capacitance and  $\Delta I_L$  = ripple current in the inductor. For a fixed output voltage, the output ripple is highest at maximum input voltage since  $\Delta I_L$  increases with input voltage.

Aluminum electrolytic and dry tantalum capacitors are both available in surface mount configurations. In the case of tantalum, it is critical that the capacitors are surge tested for use in switching power supplies. An excellent choice is the AVX TPS series of surface mount tantalum. These are specially constructed and tested for low ESR so they give the lowest ESR for a given volume.

### Efficiency Considerations

The efficiency of a switching regulator is equal to the output power divided by the input power times

100%. It is often useful to analyze individual losses to determine what is limiting the efficiency and which change would produce the most improvement. Efficiency can be expressed as: Efficiency = 100% - (L1+ L2+ L3+ ...) where L1, L2, etc. are the individual losses as a percentage of input power. Although all dissipative elements in the circuit produce losses, two main sources usually account for most of the losses:  $V_{IN}$  quiescent current and  $I^2R$  losses. The  $V_{IN}$  quiescent current loss dominates the efficiency loss at very low load currents whereas the  $I^2R$  loss dominates the efficiency loss at medium to high load currents. In a typical efficiency plot, the efficiency curve at very low load currents can be misleading since the actual power lost is of no consequence.

1. The  $V_{IN}$  quiescent current is due to two components: the DC bias current as given in the electrical characteristics and the internal main switch and synchronous switch gate charge currents. The gate charge current results from switching the gate capacitance of the internal power MOSFET switches. Each time the gate is switched from high to low to high again, a packet of charge  $\Delta Q$  moves from  $V_{IN}$  to ground. The resulting  $\Delta Q/\Delta t$  is the current out of  $V_{IN}$  that is typically larger than the DC bias current. In continuous mode,  $I_{GATECHG} = f(Q_T + Q_B)$  where  $Q_T$  and  $Q_B$  are the gate charges of the internal top and bottom switches. Both the DC bias and gate charge losses are proportional to  $V_{IN}$  and thus their effects will be more pronounced at higher supply voltages.

2.  $I^2R$  losses are calculated from the resistances of the internal switches,  $R_{SW}$  and external inductor  $R_L$ . In continuous mode the average output current flowing through inductor  $L$  is "chopped" between the main switch and the synchronous switch. Thus, the series resistance looking into the SW pin is a function of both top and bottom MOSFET  $R_{DS(ON)}$  and the duty cycle (DC) as follows:  $R_{SW} = R_{DS(ON)TOP} \times DC + R_{DS(ON)BOT} \times (1-DC)$  The  $R_{DS(ON)}$  for both the top and bottom MOSFETs can be obtained from the Typical Performance Characteristics curves. Thus, to obtain  $I^2R$  losses, simply add  $R_{SW}$  to  $R_L$  and multiply the result by the square of the average output current. Other losses including  $C_{IN}$  and  $C_{OUT}$  ESR dissipative losses and inductor core losses generally account for less than 2% of the total loss.

## Board Layout Suggestions

When laying out the printed circuit board, the following checklist should be used to ensure proper operation of the HX1346-AGN. Check the following in your layout.

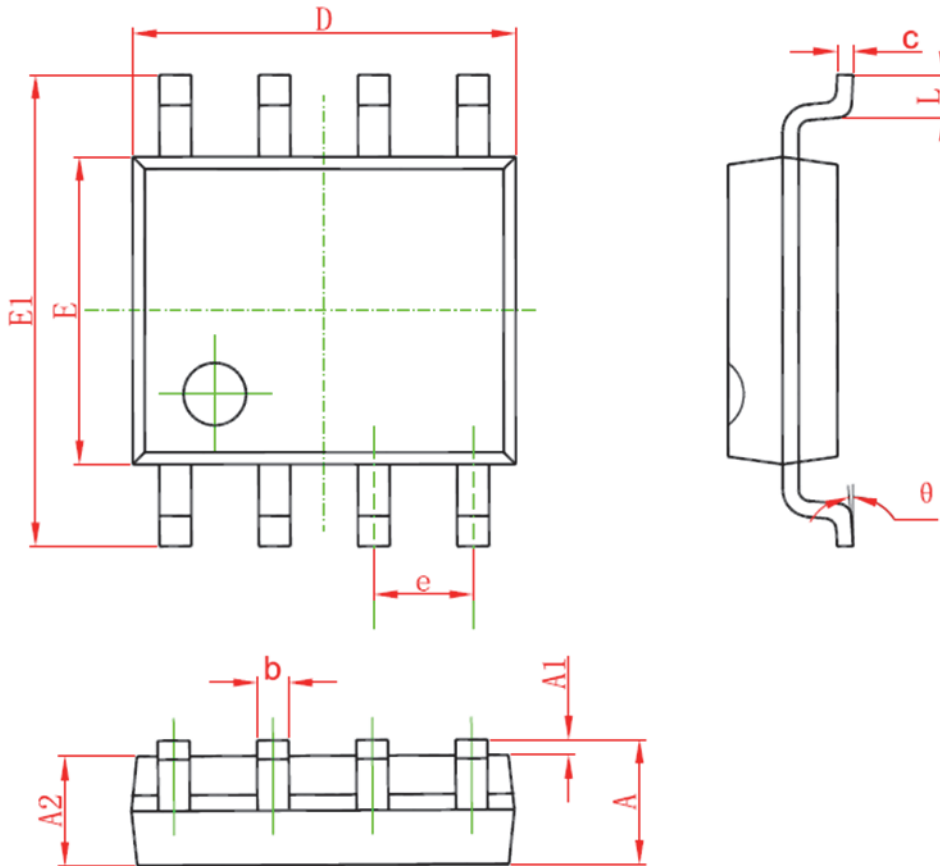
1. The power traces, consisting of the GND trace, the SW trace and the  $V_{IN}$  trace should be kept short, direct and wide.
2. Put the input capacitor as close as possible to the device pins ( $V_{IN}$  and GND).
3. SW node is with high frequency voltage swing and should be kept small area. Keep analog components away from SW node to prevent stray ca-

pacitive noise pick-up.

4. Connect all analog grounds to a command node and then connect the command node to the power ground behind the output capacitors.

## Packaging Information

### SOP-8L Package Outline Dimension



Symbol	Dimensions In Millimeters		Dimensions In Inches	
	Min	Max	Min	Max
A	1.350	1.750	0.053	0.069
A1	0.100	0.250	0.004	0.010
A2	1.350	1.550	0.053	0.061
b	0.330	0.510	0.013	0.020
c	0.170	0.250	0.006	0.010
D	4.700	5.100	0.185	0.200
E	3.800	4.000	0.150	0.157
E1	5.800	6.200	0.228	0.244
e	1.270(BSC)		0.050(BSC)	
L	0.400	1.270	0.016	0.050
θ	0°	8°	0°	8°

### Hexin Semiconductor

Hexin reserves the right to update the version of datasheet without notice at any time. Information furnished by Hexin Semiconductor is believed to be accurate and reliable. However, no responsibility is assumed for its use.